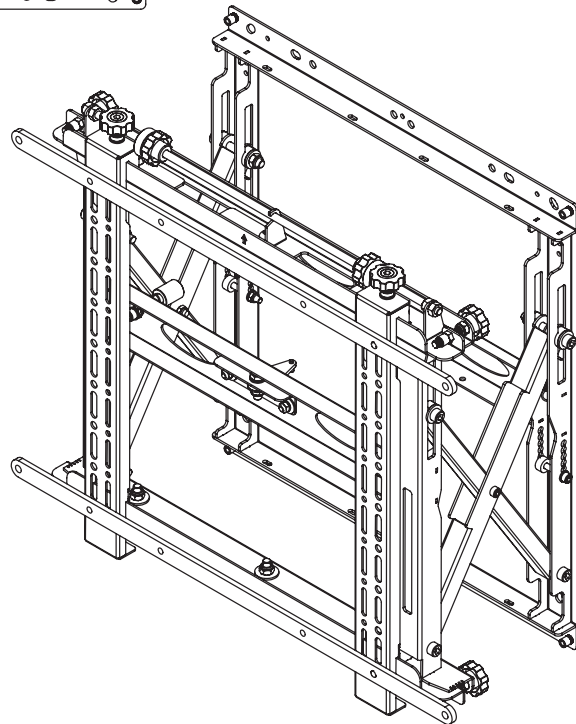
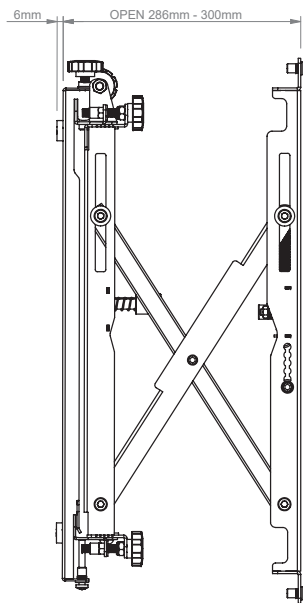
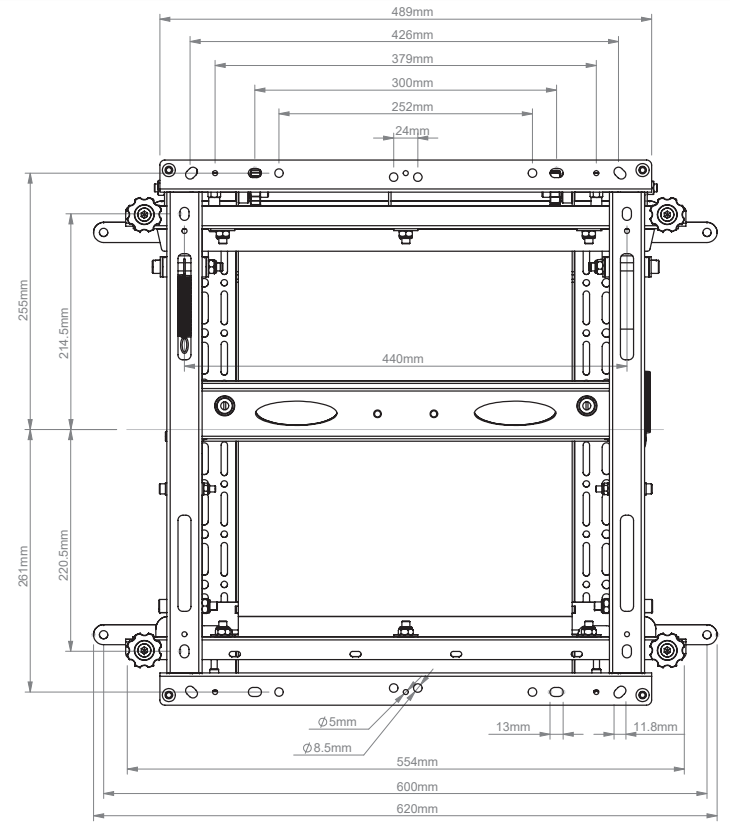
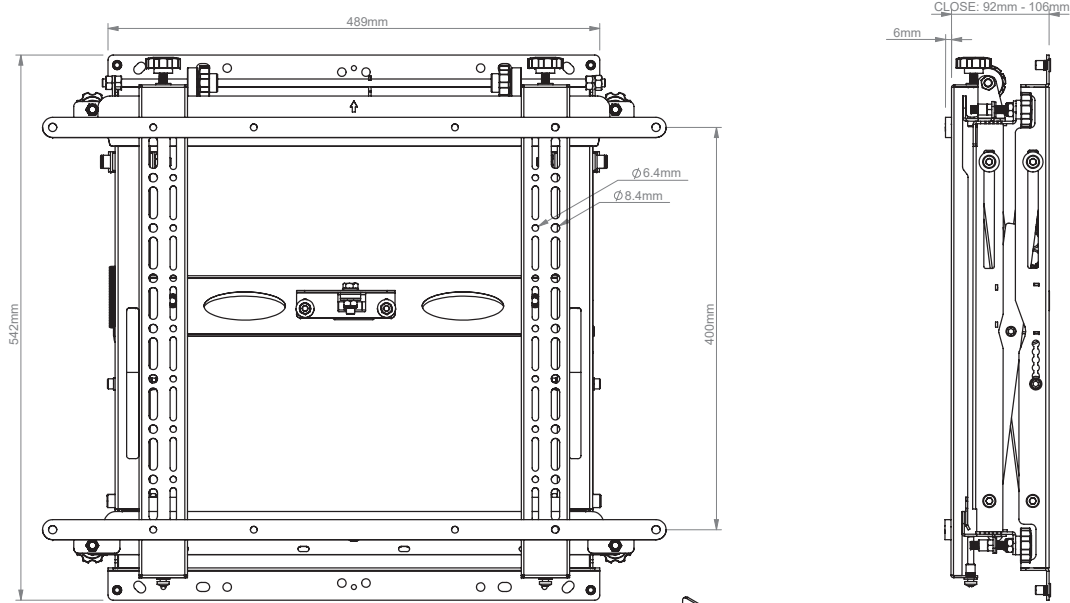



THE INFORMATION CONTAINED IN THIS DRAWING IS THE SOLE PROPERTY OF B-TECH INTERNATIONAL DESIGN AND MANUFACTURING LIMITED. ANY REPRODUCTION IN PART OR WHOLE WITHOUT THE WRITTEN PERMISSION OF B-TECH INTERNATIONAL DESIGN AND MANUFACTURING LIMITED IS PROHIBITED.



B-Tech International Design and Manufacturing Limited Part of the B-Tech International Group of Companies		B-Tech No.: BT8310 Version: V4.0
 <small>INTERNATIONAL DESIGN AND MANUFACTURING LIMITED</small>	UNLESS OTHERWISE SPECIFIED DIMENSIONS ARE IN MILLIMETERS	Title: Professional Video Wall Moun: Pop In- Pop Out Mount Revision: 0.1
	Size: A3 Scale: 1:5	Sheet: 1 of 1 Date: 20/10/2016 File Name: BTD-BT8310V4-R0.1